

Panasonic
ideas for life

1/3-type CCD
Colour Surveillance Cameras
WV-CP240EX Series

Lens : optional



Improved Image Quality, EXcellent Cost Performance. The New "EX" Series.

The WV-CP240EX Series from Panasonic is equipped with a new DSP which provides better image quality and sensitivity. The price-performance is unmatched.

The WV-CP240EX Series has 480 TV lines of horizontal resolution and a Signal-to-Noise Ratio of 50dB, allowing for superb image quality. For low-light applications the ultra sensitive F1.2 lens captures the images you need in lighting as low as 1.1 lux. With the F1.4 lens, the lighting can be as low as 1.5 lux. Image refinement features include Automatic Light Control (ALC), Automatic Gain Control (AGC), Auto-Tracing White Balance (ATW), Back Light Compensation (BLC), and Aperture Correction. These features make the WV-CP240EX Series ideal for backlit or high-contrast situations.

The flexibility of the WV-CP240EX cameras allows you to tailor systems for virtually any application. Selectable three synchronization modes include Internal, Line-locked, and Panasonic Multiplexed Vertical Drive (VD2) synchronization. Three models are available to support 220V-240V AC, 12V DC, and 24V AC power supplies.

With outstanding image quality, sensitivity, system flexibility, and cost-performance, check. There is only one

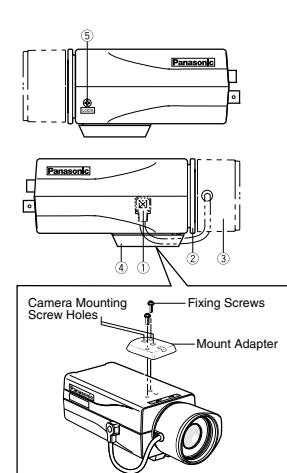
word that truly describes these new WV-CP240EX Series Panasonic surveillance cameras: "EXcellent."

KEY FEATURES

- 1/3-type CCD pick-up element with 752 (H) x 582 (V) pixels.
- 480 TV lines of horizontal resolution.
- Digital Signal Processing (DSP) minimizes aliasing (the creation of colour noise) when viewing patterned objects.
- Vertical digital enhancement and digital aperture correction improves signal strength at the horizontal and vertical edges for sharper images.
- Advanced digital adaptive backlight compensation (BLC) capability.
- Knee circuit effectively expands the dynamic range when viewing brightly illuminated objects.
- Outstanding 50dB signal-to-noise ratio.
- Minimum scene illumination of 1.1 lux at F1.2, 1.5 lux at F1.4.
- Specially developed lens mount configuration accepts both C and CS mount lenses. Also accepts both DC and Video voltage for ALC lenses.
- Wide variety of optional lenses to suit various applications.
- An advanced Electronic Light Control (ELC) enables the use of inexpensive fixed iris lenses for more cost effective systems.
- Line-lock capability for roll-free picture during switching operation.
- VD2 sync capability with Panasonic system products.
- WV-CP240EX Camera Series are:
 - WV-CP240EX: 220V-240V AC, 50 Hz
 - WV-CP242EX: 12V DC
 - WV-CP244EX: 24V AC, 50 Hz

MAJOR OPERATING CONTROLS

SYSTEM EXAMPLE



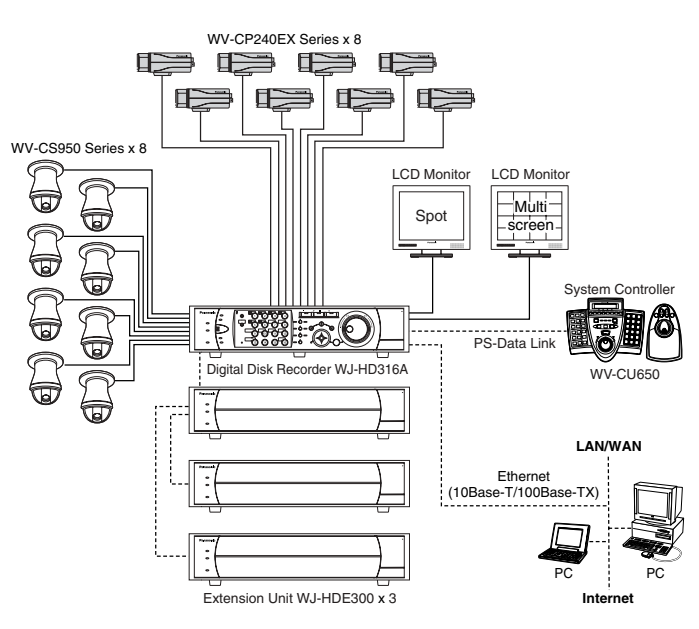
WV-CP240EX

WV-CP244EX

WV-CP242EX

⑦ DC 12V Input Terminal (only for WV-CP242EX)
 ⑧ AC 24V Input Terminal (only for WV-CP244EX)
 ⑨ Synchronization Mode Selector
 ⑩ Back Light Compensation Mode Selector
 ⑪ Detail/Aperture Level Selector
 ⑫ Automatic Light Control/
 Electronic Light Control Selector
 ⑬ Lens Drive Signal Selector
 ⑭ Video Output Connector

① ALC Lens Connector
 ② Flange-back Adjusting Ring
 ③ Lens (option)
 ④ Mount Adapter
 ⑤ Focus Fixing Screw
 ⑥ Power Cord (only for WV-CP240EX)



WV-CP240EX Series x 8

WV-CS950 Series x 8

LCD Monitor Spot

LCD Monitor Multi-screen

System Controller WV-CU650

PS-Data Link

Digital Disk Recorder WJ-HD316A

Extension Unit WJ-HDE300 x 3

LAN/WAN Ethernet (10Base-T/100Base-TX)

Internet PC PC

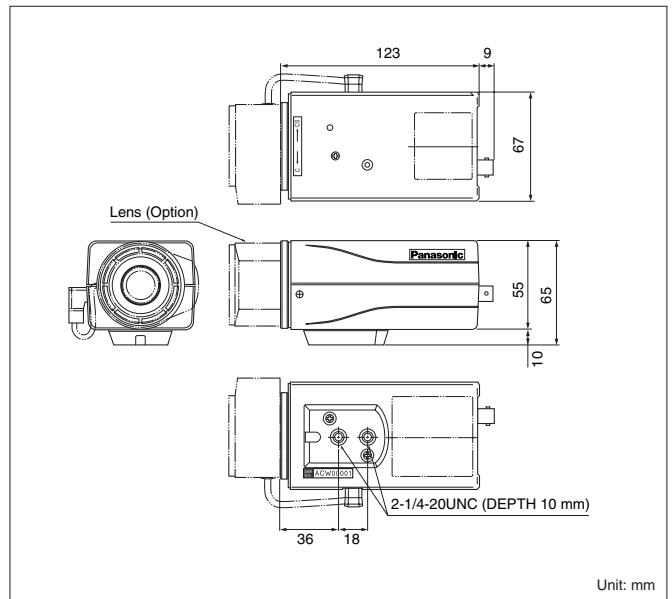
OPTIONAL COMPONENTS & ACCESSORIES

ALC Lenses WV-LA2R8C3B WV-LA4R5C3B WV-LA9C3B	Variable Focal Lenses WV-LZA61/2S WV-LZF61/2 WV-LZ62/8S	Digital Disk Recorders WJ-HD316A (16ch) WJ-HD309A (9ch) WJ-HD220 (8ch) WJ-HD88 (8ch)	Matrix System SYSTEM650	LCD AV Monitors WV-LC1710 43.2cm (17") WV-LD2000 50.8cm (20") WV-LD1500 38.1cm (15")
--	---	--	-----------------------------------	--

SPECIFICATIONS PAL

Model No.	WV-CP240EX	WV-CP242EX	WV-CP244EX
Pick-up Device	752 (H) x 582 (V) pixels, Interline Transfer CCD		
Scanning Area	4.89 (H) x 3.67 (V) mm (Equivalent to scanning area of 1/3" pick-up tube)		
Synchronization	Internal, Line-locked or Multiplexed Vertical Drive (VD2), selectable		
Scanning System	2 : 1 interlace		
Scanning	625 lines / 50 fields / 25 frames		
Horizontal	15.625 kHz		
Vertical	50 Hz		
Horizontal Resolution	480 TV lines		
Video Output	1.0 V [p-p] PAL composite 75 Ω / BNC connector		
Signal-to-Noise Ratio	50 dB (Equivalent to AGC Off, weight On)		
Electronic Light Control	Equivalent to continuous variable shutter speed between 1/50 s and 1/15,000 s		
Minimum Illumination	1.1 lux at F1.2, 1.5 lux at F1.4		
Detail	SHARP or SOFT, selectable		
Lens Mount	C-mount or CS-mount, selectable		
Ambient Operating Temperature	-10 °C - +50 °C		
Ambient Operating Humidity	Less than 90 %		
Power Source and Power Consumption	220 V - 240 V AC 50 Hz, 3.4 W	12 V DC, 270 mA	24 V AC 50 Hz, 3.3 W
Dimensions (without lens) (W x H x D)	67 x 65 x 123 mm		
Weights (without lens)	480 g	300 g	330 g

APPEARANCE



Important – Safety Precaution: carefully read the operating instructions and installation manual before using this product.

• Weights and dimensions are approximate. • Specifications are subject to change without notice. • These products may be subject to export control regulations.

DISTRIBUTED BY:

Panasonic

Panasonic is the brandname of Matsushita Electric.

Printed in Japan

WV-JKCP240EXT(2N-681C)